

The “**JDW**” model is an industrial small capacity dust collector system equipped with a **5 HP blower generating over 2500 CFM**, available in single or three phases electrical connection.

This collector is designed to collect dust particles ranging from coarse to mixed sizes, generated by wood machines operating in intermittent or continuous fashions and producing moderate to heavy dust loads.

The JDW unit is generally recommended for applications involving one or two machines in a small shop environment or in larger facilities where there is a need for an industrial “stand alone solution”.

HIGH PERFORMANCE BLOWER

The JDW unit integrates a **high performance industrial blower** with top of the line filter bag offering an efficiency of 98.98% @ 0.5 micron.

COMPACT

At less than 12 feet high with a foot print less than 8 square feet. The **compact design** of the JDW makes it ideal for applications where space is a premium.

OPTIONS

- A choice of **3 dust disposal systems**
- Magnetic starter in 1Ø - 230 volts
- Magnetic starter in 3Ø - 208/230/460/600 volts



Disposable bag



Steel drum



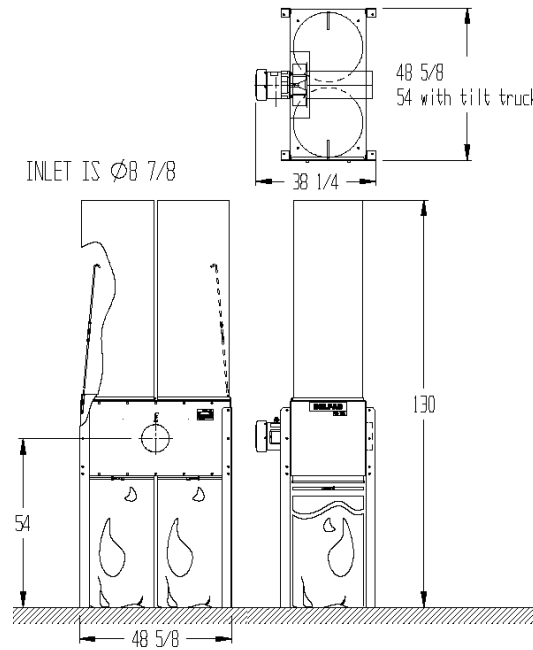
Plastic tilt trucks

STANDARD

DUST DISPOSAL OPTIONS

Filtration surface (sq.ft)	84
Dimension (W x D X H) (in.)	44" x 48" x 130"
Module weight (lbs)	300
Disposal capacity ft³	18

Blower Motor (HP)	5
Capacity CFM	2500
Sound pressure (dB)	86
Inlet diameter (in.)	9



FEATURES

- Rapid assembly & installation
- Compact configuration offering a small footprint
- Low maintenance direct drive centrifugal fan
- AMCA Class B non-spark aluminium fan wheel
- High efficiency TEFC motor, CSA-UL or CSA-US approved
- High efficiency needle felt filter bags (1/8" thick)
- Two (2) quick release clamps
- Ten (10) plastic collector bags

WARRANTY

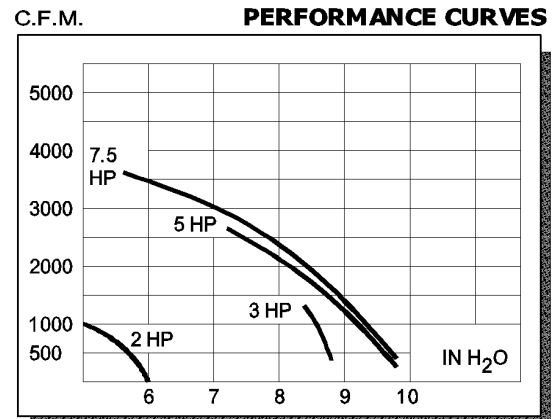
- 12 month warranty

WARNING

WARNING: Our open type Dust Collectors are designed to comply with NFPA 664 regulations which permit inside installation of adequately designed open type wood dust collector systems that produce a maximum of 5000cfm and to which no mechanically fed machines such as abrasive sanders and moulders are installed.

Consult NFPA regulations for more details. Also, consult your local authorities to verify all governing codes and regulations that apply in your locality in regards to the use of open type dust collectors. It is the buyer's responsibility to follow all applicable national, local codes and regulations for installation and system operation.

PERFORMANCE GRAPH



Note: if your installation develops less static pressure than the minimum indicated on this chart, slide gate restriction should be added in order not to exceed recommended maximum motor amperage.

