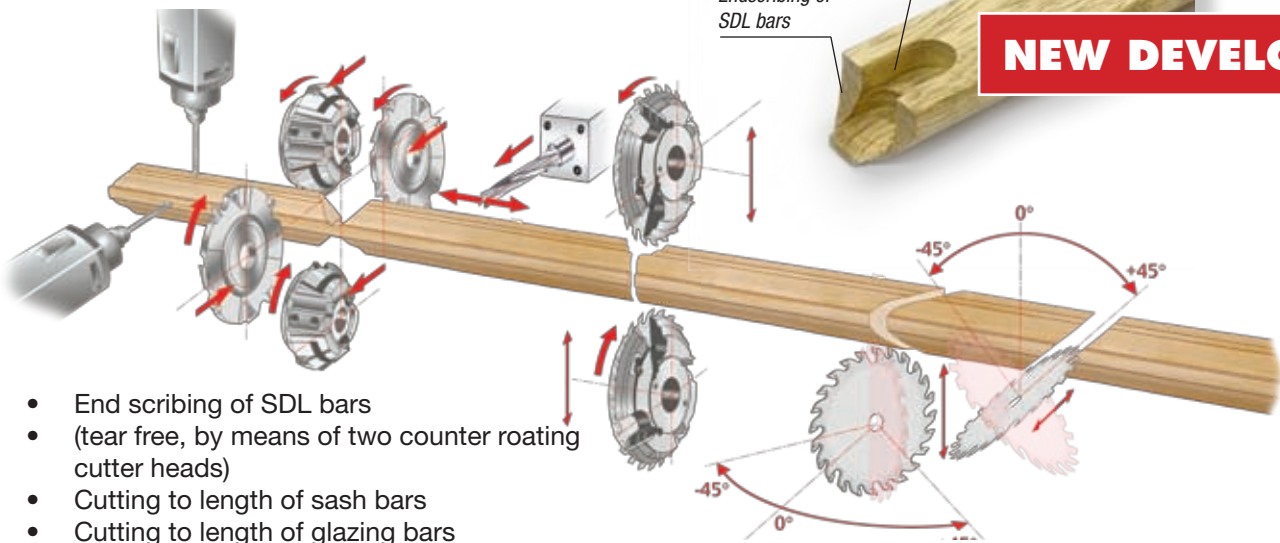


KSF-2E

Cross Joint Milling Machine KSF-2E



The KSF-2E machine can be provided with up to nine work stations. Beside the classic cross joint the machine can perform the following operations:

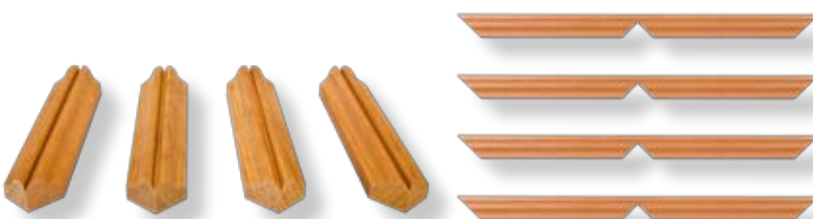


NEW DEVELOPMENT

- End scribing of SDL bars
- (tear free, by means of two counter rotating cutter heads)
- Cutting to length of sash bars
- Cutting to length of glazing bars
- Cutting to length of frames
- Drilling of fastening holes for fixing glazing bars onto frames.
- Additional unit for milling clip locations into the SDL bars ends for their connection to the frame

The machine control ensures easy operation – both in the manual and in the online mode. Connection of a laser, label or inkjet printer is possible as well.

Machine in special execution for the manufacture of « historic » cross joints



Milling of single pieces for the « historic » cross joint

Mitre-cutting, milling and drilling of frame components

Ready assembled frame