

**MPJC – V4S**

The BELFAB V4S dust collector from the MPJC series is an up-flow cartridge dust collector (vertical cartridges) with pulse jet cleaning system.

This 4-cartridges unit is built of heavy-duty 11-gauge structurally reinforced steel. This feature allows the V4S to be used in a wide range of pressure and applications requirements.

The V4S model uses standard sizes cartridges, available in multiple filter media type. The filter media can be selected to meet the requirements of your process. Production processes include but are not limited to: grinding, welding, buffing, sanding, smelting etc...

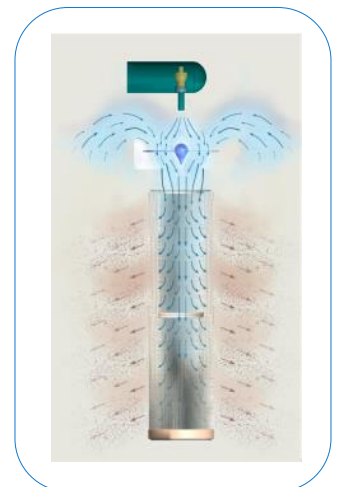
The MPJC-V4S collector provides optimal air-to-cloth ratio for ranges of 1000 - 2500 CFM.

The V4S is a stand-alone compact cartridge filter unit and can be configured with a sealed drawer, a hopper with drum or rotary air-lock continuous discharge for the disposal of the collected dust.

**PULSE CLEANING TECHNOLOGY**

BELFAB's MPJC-H4D & H8D collector systems use a patent pending "Tear Drop Even flow" (TDEF) pulse cleaning technology. This unique airflow distribution technology evenly forces the pulse of air through the entire length of the cartridge.

With the TDEF system, cartridges are cleaned top to bottom with each pulse, reducing the pressure drop across the filters after clean-up cycles and allowing the complete surface of the cartridges to be used for filtration. The life expectancy of your cartridges will be increased by this new cleaning technology.

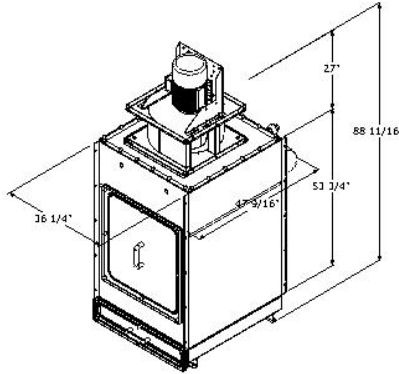


# MPJC – V4S: SPECIFICATIONS

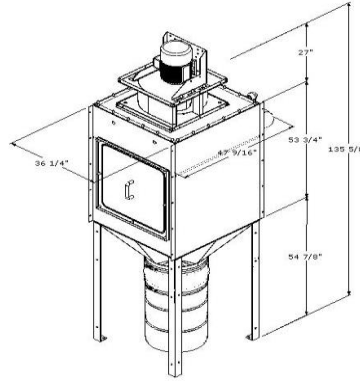


## MPJC – V4S

**MPJC-V4S-D  
Sealed Drawer  
Configuration**



**MPJC-V4S-B  
Drum & Hopper  
Configuration**



<b>Filters quantity</b>	<b>4</b>
<b>Filters dimension</b>	<b>12 3/4 dia x 26"</b>
<b>Optimal CFM</b>	<b>1000 to 3500 CFM</b>
<b>Dust disposal</b>	<b>Drawer type</b>
<b>Dimensions</b>	<b>36" (L) x 48" (W) x 89" (H)</b>
<b>Weight (lbs)</b>	<b>1400</b>

<b>Filters quantity</b>	<b>4</b>
<b>Filters dimension</b>	<b>12 3/4 dia x 26"</b>
<b>Optimal CFM</b>	<b>1000 to 3500 CFM</b>
<b>Dust disposal</b>	<b>Baril d'acier</b>
<b>Dimensions</b>	<b>36" (L) x 48" (W) x 136" (H)</b>
<b>Weight (lbs)</b>	<b>1650</b>

### OPTIONS & ACCESSORIES

- Spark detector & sprinkler
- Safety platform & ladder
- Intelligent auto cleaning system
- Explosion door & accessories
- Silencer package
- Sealed Drawer
- Rotary airlock
- Hopper for 25 or 45 gal. drum
- Multiple filter media
- Magnehelic pressure gauge
- Extended legs

### WARRANTY

- 12 month warranty

### FEATURES: FILTER MODULE & PULSE SYSTEM

- 11 gauge steel heavy duty structure
- Vertical (4) cartridge filter
- (TDEF) pulse technology
- Contrôleur séquentiel des jets d'air pulsé
- Standard size cartridges
- Pulse sequential controller
- NEMA 4 control panel
- Filter guard deflector
- Easy access to filters

### WARNING

*Consult your local authorities to verify all governing codes and regulations that apply in your locality in regards to the use of dust collectors. It is the buyer's responsibility to follow all applicable national, local codes and regulations for installation and system operation.*

*Belfab improves its products continuously and may change the specifications without notice.*